



Construction equipment

SCHEDA PRODOTTO

CONCRETE BUCKETS

Concrete bucket with riding platform

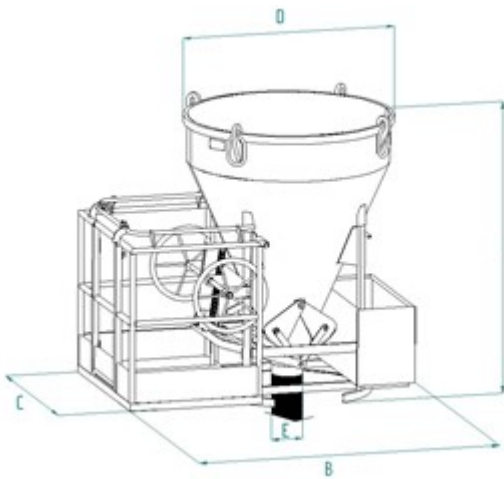
CT-P Model

Concrete bucket with man platform

Opening by lever

Supplied with a flexible rubber hose 2 mt length





MODE L	CAP.(Lt)	DIMENSIONS (mm)					CAP. (kg)	WEIG HT (kg)
		A	B	C	D	E		
CT-50 P	500	1250	1930	1200	1050	200	1300	310
CT-80 P	800	1490	1930	1200	1350	200	2080	350
CT-99 P	1000	1802	1930	1200	1350	200	2600	366
CT-15 0P	1500	2182	1930	1200	1350	200	3900	440
CT-20 0P	2000	2480	1930	1200	1350	200	5200	465
CT-25 0P	2500	1904	1930	1200	1884	200	6500	680
CT-30 0P	3000	2180	1930	1200	1884	200	7800	800



Boscaro srl
Via G. Cederle, 1 - 36020
Campiglia dei Berici (Vicenza) Italy

Tel +39 0444 866520
Fax +39 0444 866350
P.IVA: 00672450244